

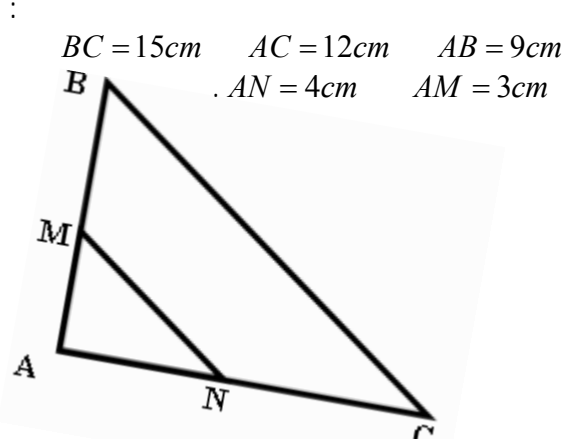
2

(5):

$x - y = -\sqrt{7}$: y x .1

$3\sqrt{7}$ $5\sqrt{3}$.2

(8):



- . $(MN) \parallel (BC)$: .1
- . $MN = 5cm$: .2
- . ABC : .3
- . BN : .4

(5):

. C ABC

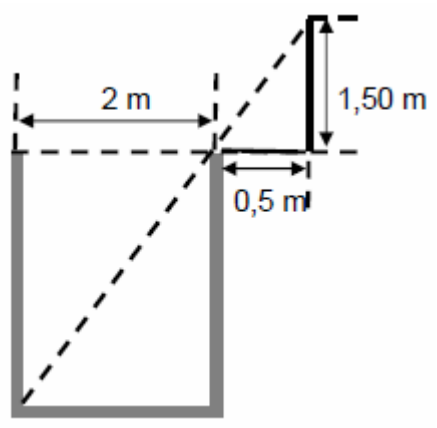
. $AB = 5\sqrt{2}cm$

. $AC = 5cm$: .1

. (AB) C K .2

. CK

():



*

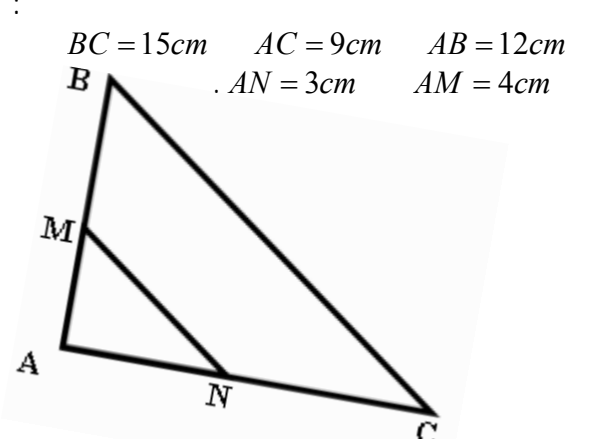
2

(5):

$a - b = \sqrt{13}$: b a .1

$6\sqrt{5}$ $5\sqrt{6}$.2

(8):



- . $(MN) \parallel (BC)$: .1
- . $MN = 5cm$: .2
- . AMN : .3
- . MC : .4

(5):

. B ABC

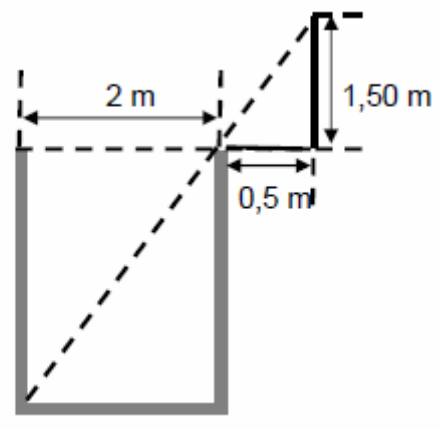
. $AC = 6\sqrt{2}cm$

. $AB = 6cm$: .1

. (AC) B H .2

. BH

():



*